

ASTER

THE ADMINISTRATION
SYSTEM FOR THERANOSTIC

A new Concept Injection Solution

ASTER is the safest and
easiest solution to manage
the administration of
radiopharmaceuticals in
Radiometabolic Therapy.



OVERVIEW SAFETY TRANSFER DISPOSABLE SET*

(PATENT PENDING)

SETTING

Once installed the perforator on the lid, it can be locked by rotating it 90° clockwise (only direction allowed).

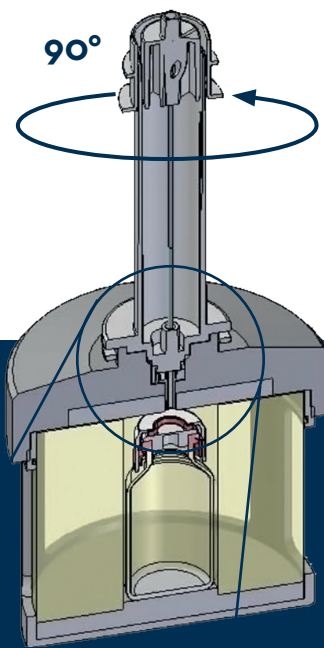
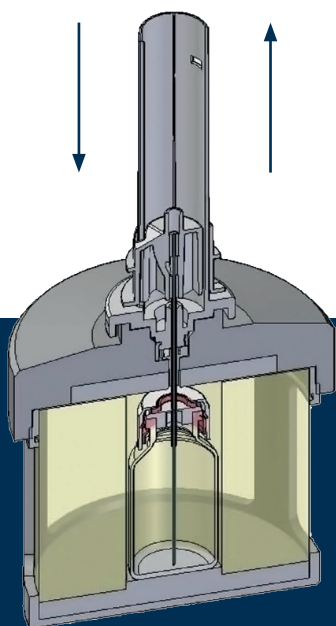
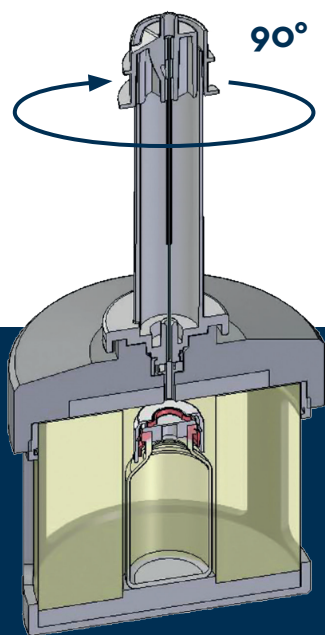
Safety seal will remain still on its position in the lid, the rotation of the perforator will align the hole in the perforator with the one in the seal freeing the course for needle to go down.

INFUSION

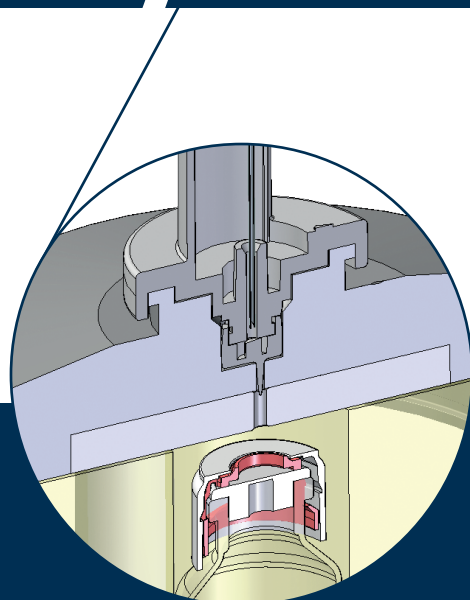
During system usage, needle which passes through the safety seal acts as a lock, blocking the erroneous rotation between perforator body and safety seal, which is always together and still with the lid. It is therefore impossible to unlock the system accidentally while needle is inserted.

POST INFUSION

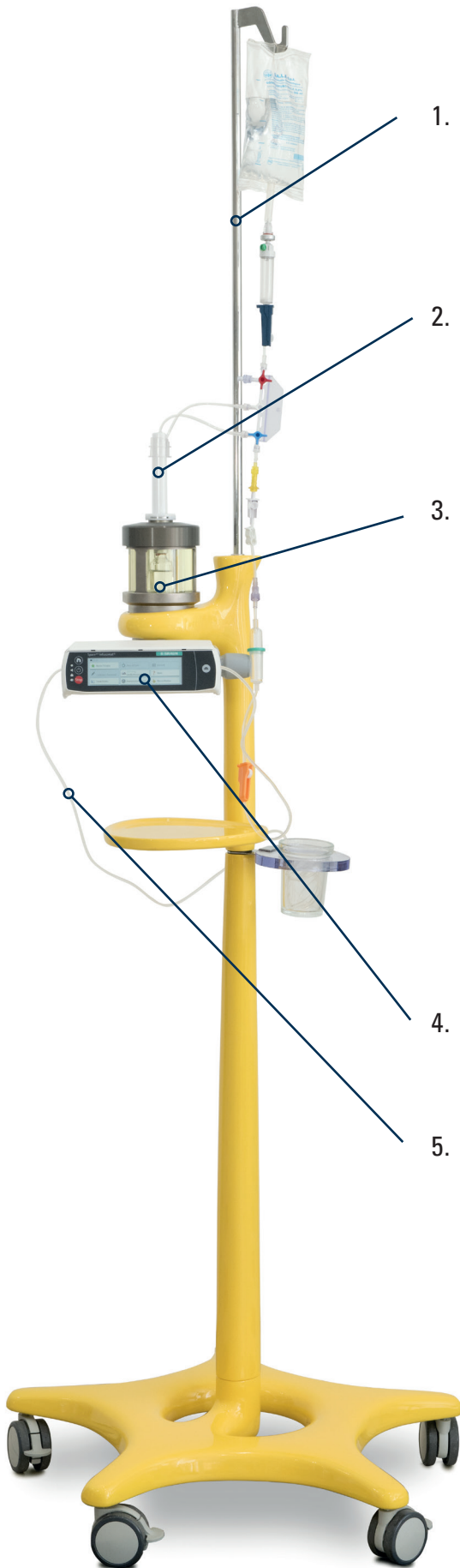
Once removed the perforator, the safety seal which has come back to its original position can potentially collect internally some liquid drops that may go out from the just used needle, keeping them inside the system and avoiding any risk of contamination. Moreover, the safety seal protects the operator from accidental injuries by piercing.



***MEDICAL DEVICE
CERTIFICATION PENDING**



STANDARD ITEMS



1. Ergonomic stand for maximum safety and stability during the preparation and infusion phase.

2. Safety transfer disposable set*.



3. Lead Glass Pot (container) as an alternative to the transport Lead Pot. This allows constant visibility on the content and a safe radiation shielding of the drug during the whole administration phase.



4. Infusion Pump.

5. Infusion disposable set.



OPTIONAL ITEMS

6. Pliers for vial handling.



7. Shielded hood for dose checking (Model LFH-beta-10). The hood is equipped with a shielded dose calibrator compartment located under the main working area (dose calibrator is optional). External dimensions (mm): 1.480(w) x 1.020(d) x 2.580(h). Weight (Kg): 1300.



ORDERING INFORMATION

STANDARD ITEMS

| REF | ITEMS | DESCRIPTION | PRODUCER | CE Code | US Code |
|-----|---------------------------------|---|---------------|------------|------------|
| 1 | Stand | . Equipped with 5 rotating wheels . Max extended position: 2.100 mm | Tema Sinergie | | Gr-Stand |
| 2 | Safety transfer disposable set* | . Tema Sinergie single treatment transfer set | Tema Sinergie | | STRK |
| 3 | Lead Glass Pot (container) | . 30 mm lead glass shielding with density 4,78 gr/cm ³ | Tema Sinergie | | G-Pot |
| 4 | Infusion Pump | . B. BRAUN Peristaltic Infusion Pump | B. BRAUN | BB_CE-PUMP | BB_US-PUMP |
| 5 | Infusion disposable set | . B. BRAUN Single treatment infusion set | B. BRAUN | BB_CE-INK | BB_US-INK |

OPTIONAL ITEMS

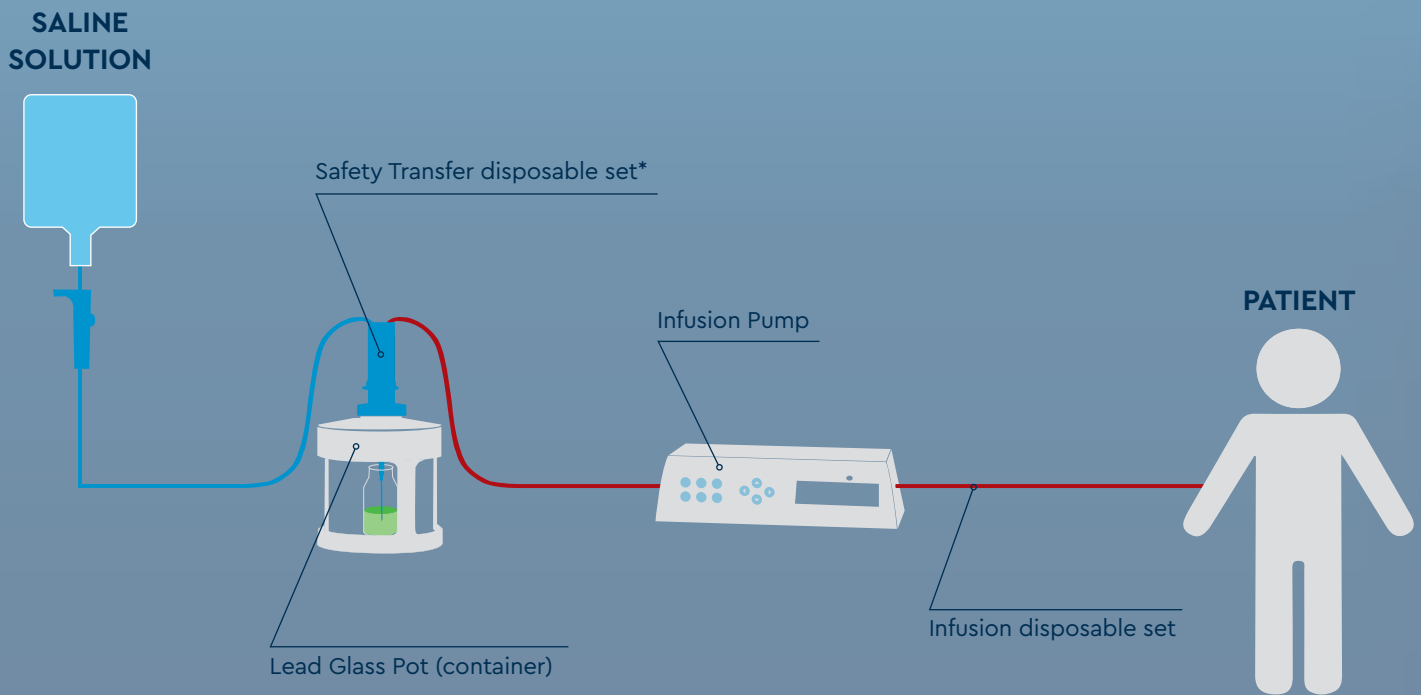
| REF | ITEMS | DESCRIPTION | PRODUCER | CE Code | US Code |
|-----|--------------------------|--|---------------|---------|-------------|
| 6 | Pliers for vial handling | . The pliers (length: 400 mm), equipped with shaped ends, is suitable for handling radioactive vials, granting high safety to the operator | Tema Sinergie | | TVH |
| 7 | Shielded hood | . Shielding: 10 mm Pb + 10 mm Plexiglas shielding on sides / back / working surface / waste compartment . Sliding frontal lead glass window: 10 mm Pb eq + 10 mm Plexiglas shielding . Shielded housing for dose calibrator: 30 mm Pb + 10 mm Plexiglas shielding (dose calibrator not included) . Automatic, footswitch controlled up/down lift for dose calibrator . UV lamp | Tema Sinergie | | LFH-beta-10 |

*Medical Device Certification Pending

OVERVIEW ASTER SET CONNECTION

ASTER

THE ADMINISTRATION
SYSTEM FOR THERANOSTIC



REV. 00_22



MINIMIZE RADIOACTIVE EXPOSURE

Only one small hole in the Lead Glass Pot for a single needle.



PROTECT THE OPERATOR

No chance to get punctured by the needle.



ENSURE STERILITY

The needle will never get in contact with the Lead Glass Pot.



AVOID CONTAMINATION

No radiopharmaceutical leaks from the set during the disconnection from the vial.